



## INFINITY TD15 HD720P EXIR Turret Camera

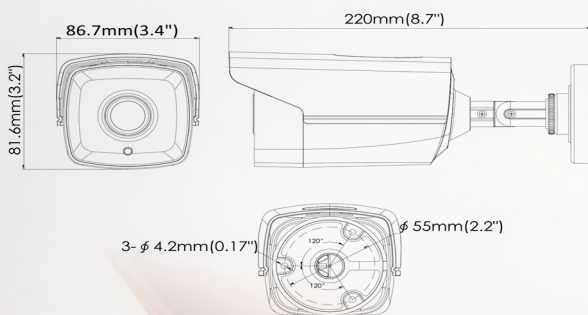
### Specification

Camera	
Image Sensor	1MP CMOS Image Sensor
Signal System	PAL/NTSC
Effective Pixels	1296(H)*732(V)
Min. illumination	0.1 Lux @ (F1.2,AGC ON),0 Lux with IR
Shutter Time	1/25(1/30)s to 1/50,000s
Lens	3.6mm (2.8mm, 6mm, 8mm, 12mm, 16mm optional) Angle of View: 70.9°(3.6mm), 92°(2.8mm), 56.7°(6mm), 38.6°(8mm), 27.5°(12mm), 17.7°(16mm)
Lens Mount	M12
Day & Night	ICR
Angle Adjustment	Pan: 0 - 360°, Tilt: 0 - 75°, Rotation: 0 - 360°
Synchronization	Internal synchronization
Video Frame Rate	720p@25fps/720p@30fps
HD Video Output	1 Analog HD output
S/N Ratio	>62dB
General	
Operating Conditions	-40 °C – 60 °C (-40 °F – 140 °F), Humidity 90% or less (non-condensing)
Power Supply	12 VDC ± 15%
Power Consumption	Max. 4W
Protection Level	IP66
IR Range	Up to 40m
Dimensions	Φ110 × 93.2 mm (Φ4.33" × 3.67")
Weight	350 g

### Key Feature

- 1 Megapixel high-performance CMOS
- Analog HD output, up to 720P resolution
- True Day/Night
- DNR, Smart IR
- EXIR technology, up to 20m IR distance
- IP66 weatherproof

### Dimension



### Accessoris



Junction box



Video Balun



Camera Tester